

LED LIGHTING

EVF2-PL/FL... Series - Zone 2, 22 - Copper-free aluminum or GRP



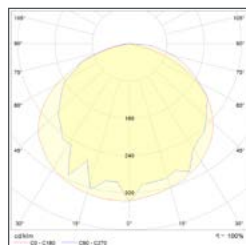
- Complete range of explosion-proof linear lighting fixtures available with single lamp and ideal for applications where a continuous row of lighting is needed to ensure a uniform illumination of production sites and machinery.
- End-cups made in copper-free aluminium or GRP.
- Three layers-extrusion lamp housing: Polycarbonate layer; Top side reflecting layer which protects inner electrical and electronic apparatus from direct sun heating/radiation effect; Filter layer which protects inner polycarbonate layer against UV radiation and related yellowing effect.
- Circular shape grants the best possible "CX" factor, therefore it is less affected by wind-dusts, pollution and dirty bunching.
- All lighting fixtures are supplied ready for LOOP IN-LOOP OUT facility with cable upto 4sqmm.

TECHNICAL FEATURES

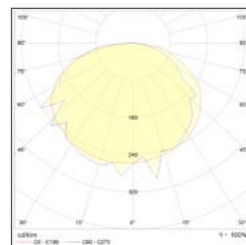
Material	EVF2-FL = End-cups in GRP/Light housing in polycarbonate EVF2-PL = End-cups in copper-free aluminium/Light housing in polycarbonate
IP/IK rating	IP66/IK10 according to EN 62262:2002
Ambient temperature range	-20°C to + 55°C
Approvals	FIDI 20 ATEX 0026X IECEX FIDI20.0004X
Marking	II 3 G Ex ec IIC T4 Gc (normal service) II 3 D Ex tc IIIC T85°C Dc
Hardware and screws	AISI304 Stainless steel external hardware and screws
Surface treatment	EVF2-FL = Unpainted EVF2-PL = End-cups painted by polyurethane painting cycle - Blue RAL5014 (other colour on request)
Entries	EVF2-FL = N. 2 entries M20/M25 EVF2-PL = N. 2 entries M20 One plugged-off by Ex d brass nickel chrome plated plug and relevant gasket.
LED Lumen output	3.600lm, 6.900lm, 12.550lm
Power	29W, 55W, 95W
Luminous efficiency	Up to 132lm/W
Colour Temperature	4.000K
Colour Rendering Index	80 CRI
Power factor	0,98 cosΦ
Ballast	High frequency electronic ballast
Rated operational voltage	220-240 Vac (normal service) - 50-60 Hz
Accessories on request	AISI316L Pole mounting kit; AISI316L Ceiling/Wall mounting kit; AISI316L Suspension mounting kit; 3° bottom entry; Brass NiCr/AISI316L single seal cable gland for unarmoured cable c/w set of sealing rings, gasket, locknut; Brass NiCr/AISI316L double seal cable gland for armoured cable c/w set of sealing rings, gasket, locknut.

Photometric curves

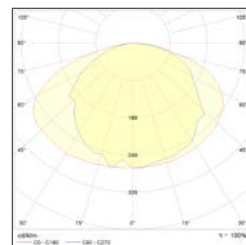
1 strip - 29W



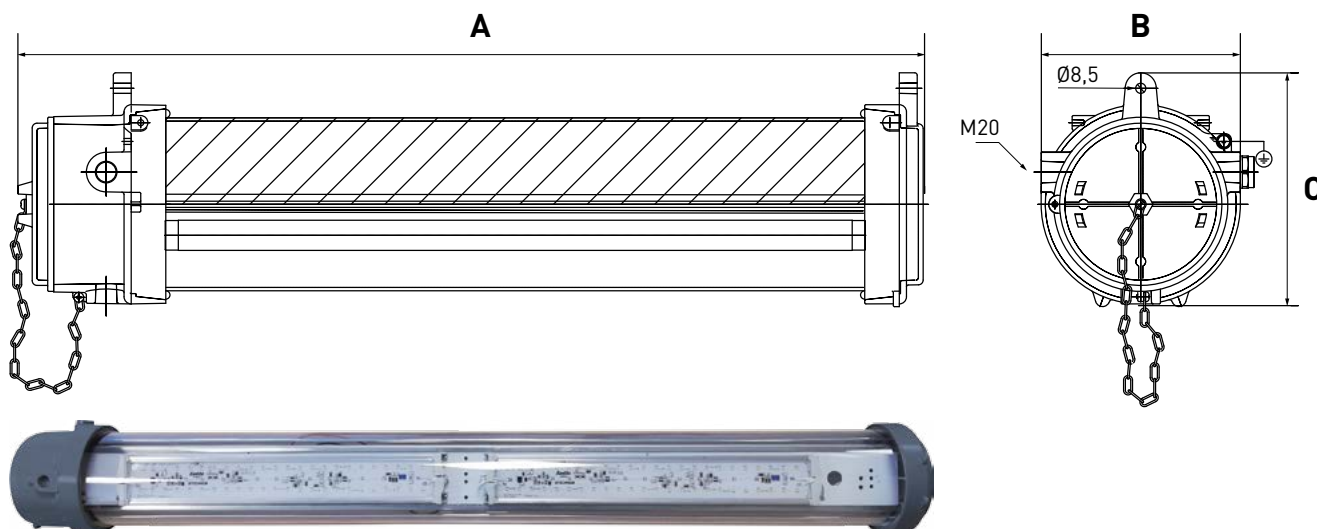
1 strip - 55W



1 strip - 95W



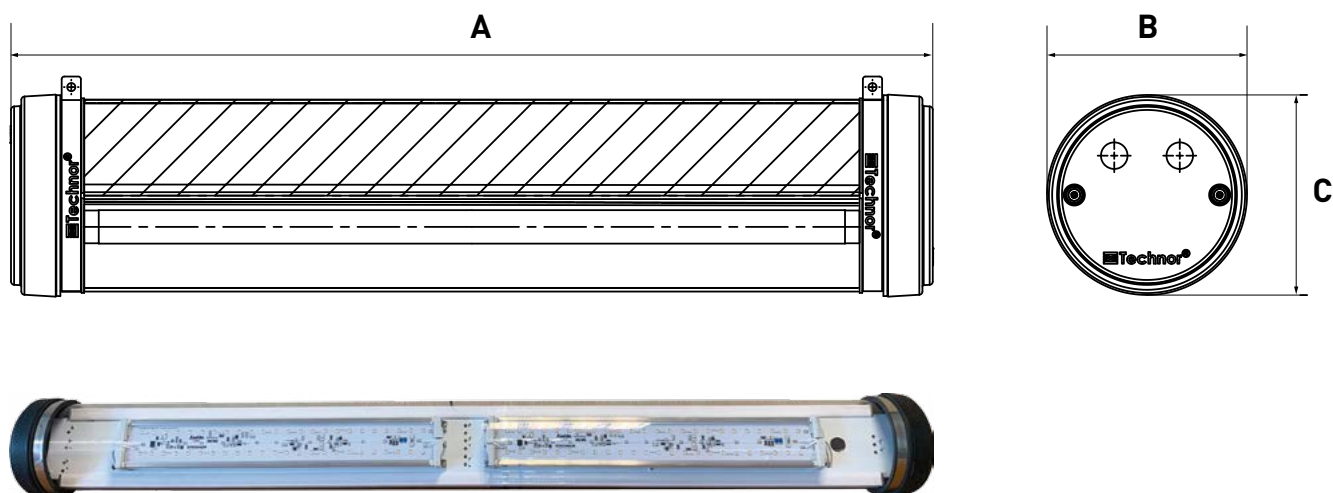
Dimensions EVF2-PL - Copper-free aluminium



EVF2- PL.. - LED lighting fixture for normal service - Copper-free aluminium

TYPE	CODE	POWER [W]	DIMENSIONS [mm]			WEIGHT [Kg]
			A	B	C	
EVF2-PL 129	A021362630001	1X29	764	176	194	6.50
EVF2-PL 155	A021365230001	1X55	1374	176	194	8.50
EVF2-PL 195	A021369530001	1X95	1680	176	194	9.50

Dimensions EVF2-FL - GRP



EVF2-FL.. - LED lighting fixture for normal service - GRP

TYPE	CODE	POWER [W]	DIMENSIONS [mm]			WEIGHT [Kg]
			A	B	C	
EVF2-FL 129	A021462630001	1X29	745	176	194	4.50
EVF2-FL 155	A021465230001	1X55	1342	176	194	6.50
EVF2-FL 195	A021469530001	1X95	1642	176	194	8.50

Note: EVF2-FL Series is available also for weatherproof application. Contact our sales dept. for more information